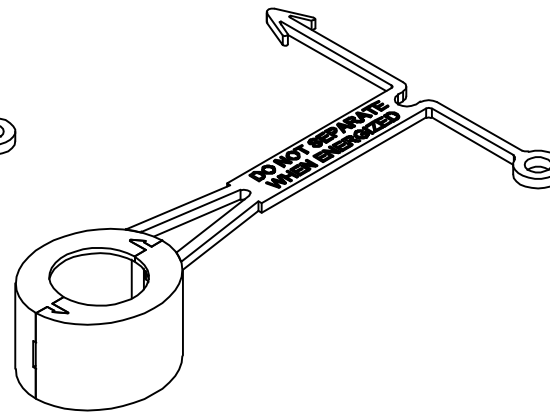
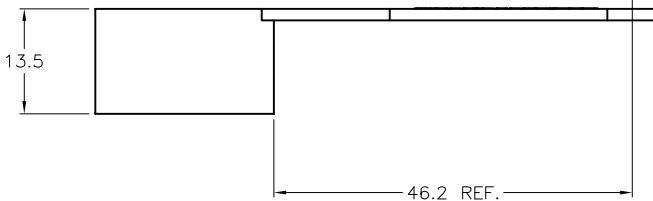
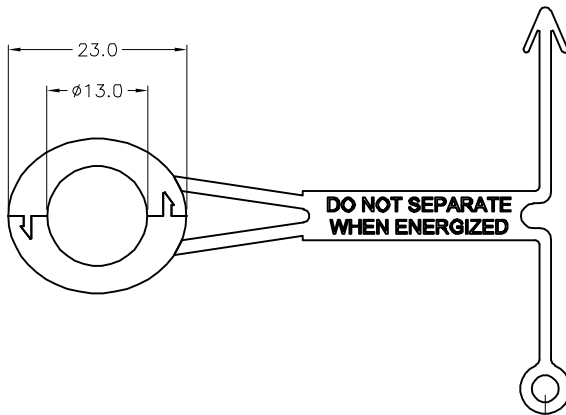


OPEN POSITION



CLOSED POSITION



SOURCE DRAWING - FOR REFERENCE ONLY

RELATED DOCUMENTS		3RD ANGLE PROJECTION		THIS DRAWING IS CONFIDENTIAL AND THE PROPERTY OF TURCK INC. USE OF THIS DOCUMENT WITHOUT WRITTEN PERMISSION IS PROHIBITED.		<p>3000 CAMPUS DRIVE MINNEAPOLIS, MN 55441 1-800-544-7769 (763) 553-7300 (763) 553-0708 fax www.turck.us</p>	
1.				DRFT RDS		DATE 06/08/10	
2.				APVD		SCALE 1=1.0	
3.		ALL DIMENSIONS DISPLAYED ON THIS DRAWING ARE FOR REFERENCE ONLY		UNIT OF MEASUREMENT		DESCRIPTION	
4.				MILLIMETERS		LOCK-EURO-SMALL	
MATERIAL		NYLON		CONTACT TURCK FOR MORE INFORMATION		IDENTIFICATION NO.	
FINISH		BLACK		DO NOT SCALE THIS DRAWING		A9236	
A DRAWING RELEASE		RDS 06/08/10		FILE: A9236		REV A	
REV DESCRIPTION		BY DATE ECO NO.		SHEET 1 OF 2			